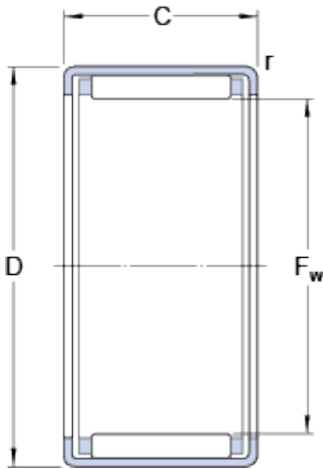




FAG BEARING CORP.



SKF HK 0808 AUSTRALIAN Bearing 12X16X10

Bearing No. HK 0808

HK 0808 Bearing 2D drawings and 3D CAD models

Size	12x8x8 mm
Bore Diameter	12 mm
Outer Diameter	8 mm
Width	8 mm
F_w	8 mm
D	12 mm
C	8 mm
r - min.	0.4 mm
Basic dynamic load rating - C	2.7 kN
Basic static load rating - C_0	2.8 kN
Fatigue load limit - P_u	0.285 kN
Reference speed	19000 r/min
Limiting speed	22000 r/min
Mass bearing	0.0027 kg
Category	Roller Bearings
Inventory	0.0
Manufacturer Name	SKF
Minimum Buy Quantity	N/A
Weight / Kilogram	0.007
EAN	7316577712486
Product Group	B04144
F_w	8 mm
r min.	0.4 mm
Basic dynamic load rating C	2.7 kN



FAG BEARING CORP.

Basic static load rating C_0	2.75 kN
Fatigue load limit P_u	0.285 kN
Designation bearing	HK 0808
Radial shaft seal with a low cross-sectional height, single lip	G 8x12x3