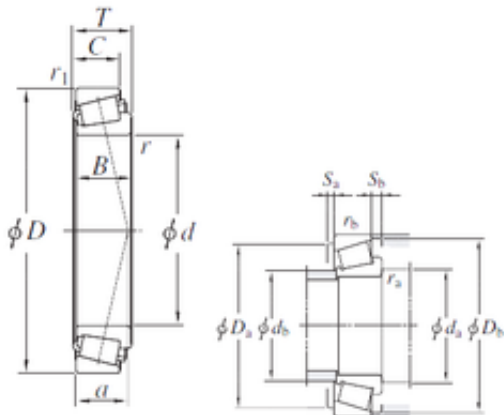




FAG BEARING CORP.

100 mm x 150 mm x 32 mm KOYO 32020JR
JAPAN Bearing

Bearing No. 32020JR



32020JR Bearing 2D drawings and 3D CAD models

Size	100x150x32 mm
Bore Diameter	100 mm
Outer Diameter	150 mm
Width	32 mm
d	100 mm
D	150 mm
T	32 mm
B	32 mm
C	24 mm
a	32,6 mm
r min.	2 mm
r1 min.	1,5 mm
r2 min.	1,5 mm
da min.	110 mm
da max	109 mm
Da min	134 mm
Da max.	141 mm
db max.	109 mm
Db min.	144 mm
ra max.	2 mm
rb max.	1,5 mm
Db	144 mm
Weight	1,95 Kg
Basic dynamic load rating (C)	185 kN
Basic static load rating (C0)	298 kN



FAG BEARING CORP.

(Grease) Lubrication Speed	2400 r/min
(Oil) Lubrication Speed	3200 r/min
Calculation factor (e)	0,46
Calculation factor (Y0)	0,72
Category	Tapered Roller Bearing Assemblies
Inventory	0.0
Manufacturer Name	KOYO
Minimum Buy Quantity	N/A
Weight / Kilogram	2.106
Product Group	B04334
Precision Class	Standard
Component	Assembly
Basic Number	32020
Number of Tapered Rows	Single Row
Inch - Metric	Metric
Other Features	High Load Capacity
Long Description	Assembly; Standard Precision; 100MM Bore; 150MM Outside Diameter; 32MM Assembly Width; Single Row of Rollers
Category	Tapered Roller Bearings Assembly
UNSPSC	31171516
Harmonized Tariff Code	8482.20.00.00
Noun	Bearing
Keyword String	Tapered
Manufacturer URL	http://www.koyousa.com
Manufacturer Item Number	32020JR
Weight / LBS	4.299
Bore	3.937 Inch 100 Millimeter
Flange Outside Diameter	0 Inch 0 Millimeter
Outside Diameter	5.906 Inch 150 Millimeter



FAG BEARING CORP.

Assembly Width	1.26 Inch 32 Millimeter
Bearing No.	32020JR
r(min)	2
r1(min)	1.5
Cr	233
C0r	298
Cu	43.8
Grease lub.	2400
Oil lub.	3200
a	32.6 mm
da(min)	110
db(max)	109
Da(max)	141
Da(min)	134
Db(min)	144
Sa(min)	6
Sb(min)	8
ra(max)	2
rb(max)	1.5
e	0.46
Y1	1.31
Y0	0.72
(Refer.) Mass(kg)	1.95