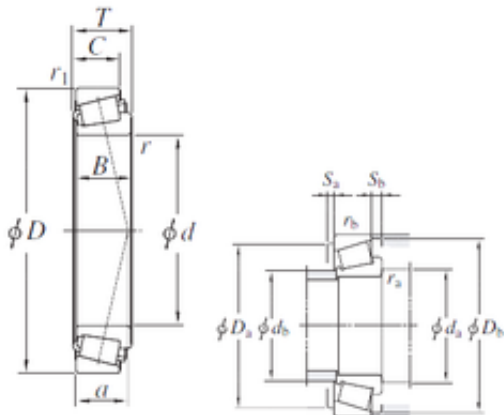




# FAG BEARING CORP.

105 mm x 160 mm x 35 mm KOYO 32021JR  
JAPAN Bearing 150\*225\*48

Bearing No. 32021JR



32021JR Bearing 2D drawings and 3D CAD models

Size	105x160x35 mm
Bore Diameter	105 mm
Outer Diameter	160 mm
Width	35 mm
d	105 mm
D	160 mm
T	35 mm
B	35 mm
C	26 mm
a	34,5 mm
r min.	2,5 mm
r1 min.	2 mm
r2 min.	2 mm
da min.	117 mm
da max	116 mm
Da min	143 mm
Da max.	150 mm
db max.	116 mm
Db min.	154 mm
ra max.	2 mm
rb max.	2 mm
Db	154 mm
Weight	2,45 Kg
Basic dynamic load rating (C)	215 kN
Basic static load rating (C0)	344 kN



## FAG BEARING CORP.

(Grease) Lubrication Speed	2200 r/min
(Oil) Lubrication Speed	3000 r/min
Calculation factor (e)	0,44
Calculation factor (Y0)	0,74
Category	Tapered Roller Bearing Assemblies
Inventory	0.0
Manufacturer Name	KOYO
Minimum Buy Quantity	N/A
Weight / Kilogram	2.646
Product Group	B04334
Precision Class	Standard
Component	Assembly
Basic Number	32021
Number of Tapered Rows	Single Row
Inch - Metric	Metric
Other Features	High Load Capacity
Long Description	Assembly; Standard Precision; 105MM Bore; 160MM Outside Diameter; 35MM Assembly Width; Single Row of Rollers
Category	Tapered Roller Bearings Assembly
UNSPSC	31171516
Harmonized Tariff Code	8482.20.00.00
Noun	Bearing
Keyword String	Tapered
Manufacturer URL	<a href="http://www.koyousa.com">http://www.koyousa.com</a>
Manufacturer Item Number	32021JR
Weight / LBS	5.401
Outside Diameter	6.299 Inch   160 Millimeter
Bore	4.134 Inch   105 Millimeter
Flange Outside Diameter	0 Inch   0 Millimeter



## FAG BEARING CORP.

Assembly Width	1.378 Inch   35 Millimeter
Bearing No.	32021JR
r(min)	2.5
r1(min)	2
Cr	270
C0r	344
Cu	49.9
Grease lub.	2200
Oil lub.	3000
a	34.5 mm
da(min)	117
db(max)	116
Da(max)	150
Da(min)	143
Db(min)	154
Sa(min)	6
Sb(min)	9
ra(max)	2
rb(max)	2
e	0.44
Y1	1.35
Y0	0.74
(Refer.) Mass(kg)	2.45