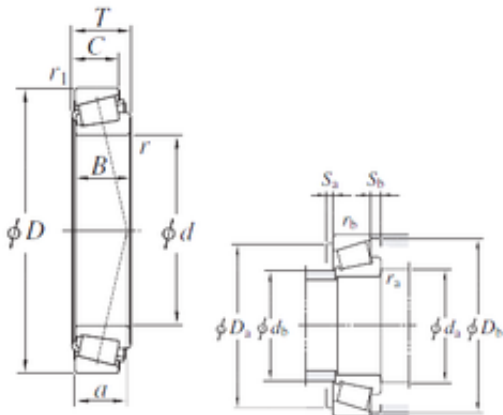




# FAG BEARING CORP.

260 mm x 400 mm x 87 mm KOYO 32052JR  
JAPAN Bearing 30x62x23.8

Bearing No. 32052JR



32052JR Bearing 2D drawings and 3D CAD models

Size	260x400x87 mm
Bore Diameter	260 mm
Outer Diameter	400 mm
Width	87 mm
d	260 mm
D	400 mm
T	87 mm
B	87 mm
C	65 mm
a	85 mm
r min.	5 mm
r1 min.	4 mm
r2 min.	4 mm
da min.	282 mm
da max	287 mm
Da min	352 mm
Da max.	382 mm
db max.	287 mm
Db min.	383 mm
ra max.	4 mm
rb max.	3 mm
Db	383 mm
Weight	39,5 Kg
Basic dynamic load rating (C)	1170 kN
Basic static load rating (C0)	2170 kN



## FAG BEARING CORP.

(Grease) Lubrication Speed	770 r/min
(Oil) Lubrication Speed	1000 r/min
Calculation factor (e)	0,43
Calculation factor (Y0)	0,76
Category	Tapered Roller Bearing Assemblies
Inventory	0.0
Manufacturer Name	KOYO
Minimum Buy Quantity	N/A
Weight / Kilogram	41.688
EAN	0605790021602
Product Group	B04334
Precision Class	Standard
Component	Assembly
Basic Number	32052
Number of Tapered Rows	Single Row
Inch - Metric	Metric
Other Features	High Load Capacity
Long Description	Assembly; Standard Precision; 260MM Bore; 400MM Outside Diameter; 87MM Assembly Width; Single Row of Rollers
Category	Tapered Roller Bearings Assembly
UNSPSC	31171516
Harmonized Tariff Code	8482.20.00.00
Noun	Bearing
Keyword String	Tapered
Manufacturer URL	<a href="http://www.koyousa.com">http://www.koyousa.com</a>
Manufacturer Item Number	32052JR
Weight / LBS	87.083
Flange Outside Diameter	0 Inch   0 Millimeter
Bore	10.236 Inch   260 Millimeter



## FAG BEARING CORP.

Assembly Width	3.425 Inch   87 Millimeter
Outside Diameter	15.748 Inch   400 Millimeter
Bearing No.	32052JR
r(min)	5
r1(min)	4
Cr	1470
C0r	2170
Cu	221
Grease lub.	770
Oil lub.	1000
a	85.0 mm
da(min)	282
db(max)	287
Da(max)	382
Da(min)	352
Db(min)	383
Sa(min)	14
Sb(min)	22
ra(max)	4
rb(max)	3
e	0.43
Y1	1.38
Y0	0.76
(Refer.)Mass(kg)	39.5