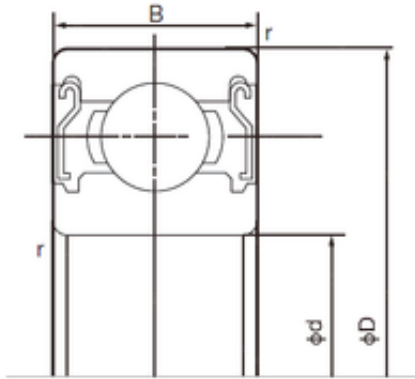




FAG BEARING CORP.

17 mm x 40 mm x 12 mm NACHI 6203ZZE JAPAN Bearing



Bearing No. 6203ZZE

6203ZZE Bearing 2D drawings and 3D CAD models

Size	17x40x12 mm
Bore Diameter	17 mm
Outer Diameter	40 mm
Width	12 mm
d	17 mm
D	40 mm
B	12 mm
C	12 mm
r min.	0.6 mm
da min.	22 mm
Da max.	35 mm
ra max.	0.6 mm
Weight	0.065 Kg
Basic dynamic load rating (C)	9,55 kN
Basic static load rating (C0)	4,8 kN
(Grease) Lubrication Speed	17000 r/min
Category	Single Row Ball Bearings
Inventory	0.0
Manufacturer Name	NACHI
Minimum Buy Quantity	N/A
Weight / Kilogram	0
Product Group	B00308
Enclosure	2 Metal Shields
Precision Class	ABEC 1 ISO P0
Maximum Capacity / Filling	No



FAG BEARING CORP.

Slot	
Rolling Element	Ball Bearing
Snap Ring	No
Internal Special Features	No
Cage Material	Steel
Internal Clearance	C0-Medium
Inch - Metric	Metric
Long Description	17MM Bore; 40MM Outside Diameter; 12MM Outer Race Width; 2 Metal Shields; Ball Bearing; ABEC 1 ISO P0; No Filling Slot; No Snap Ring; No Internal Special Features; C0-Medium Internal Clearance; Stee
Other Features	Deep Groove
Category	Single Row Ball Bearing
UNSPSC	31171504
Harmonized Tariff Code	8482.10.50.68
Noun	Bearing
Keyword String	Ball
Manufacturer URL	http://www.nachiamerica.com
Weight / LBS	0.146
Outer Race Width	0.472 Inch 12 Millimeter
Outside Diameter	1.575 Inch 40 Millimeter
Inner Race Width	0 Inch 0 Millimeter
Bore	0.669 Inch 17 Millimeter
Bore Type	Cylindrical Bore
Configuration	Single Row
Bore Size	17 mm
Width	12 mm
Fillet Radius/Chamfer	0.6 mm
Dynamic Load Rating	9,550 N



FAG BEARING CORP.

Static Load Rating	4,800 N
Limiting Speed - Grease	18,000 rpm
Factor f_0	13.1
Radial Clearance	0.003 to 0.018 mm
d_a (min)	22 mm
D_a (max)	35 mm
r_a (max)	0.6 mm