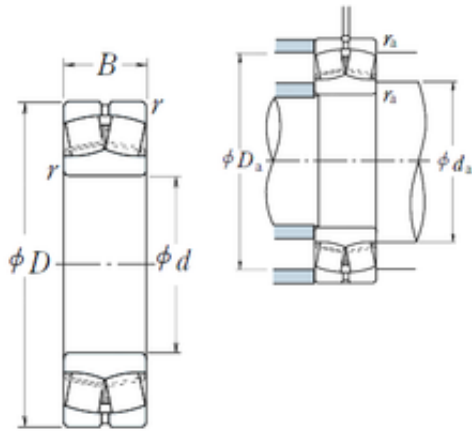




FAG BEARING CORP.



50 mm x 90 mm x 23 mm NSK 22210EAE4
JAPAN Bearing 50*90*23

Bearing No. 22210EAE4

22210EAE4 Bearing 2D drawings and 3D CAD models

Size	50x90x23 mm
Bore Diameter	50 mm
Outer Diameter	90 mm
Width	23 mm
d	50 mm
D	90 mm
B	23 mm
C	23 mm
r min.	1,1 mm
da min.	57 mm
da max	60 mm
Da min	81 mm
Da max.	83 mm
ra max.	1 mm
Weight	0,61 Kg
Basic dynamic load rating (C)	99 kN
Basic static load rating (C0)	119 kN
(Grease) Lubrication Speed	5000 r/min
(Oil) Lubrication Speed	6300 r/min
Calculation factor (e)	0,24
Calculation factor (Y0)	2,8
Calculation factor (Y2)	4,3
Category	Spherical Roller Bearings
Inventory	0.0
Manufacturer Name	NSK



FAG BEARING CORP.

Minimum Buy Quantity	N/A
Weight / Kilogram	0.6
EAN	0029176416187
Product Group	B04311
Internal Clearance	C0-Medium
Mounting Method	Shaft Mount
Rolling Element	Spherical Roller Bearing
Bore Profile	Straight
Cage Material	Steel
Enclosure	Open
Number of Rows of Rollers	Double Row
Relubricatable	Yes
Withdrawal Sleeve	Not Applicable
Inch - Metric	Metric
Long Description	50MM Straight Bore; 90MM Outside Diameter; 23MM Width; C0-Medium Clearance; Shaft Mount; Double Row of Spherical Roller Bearings; Steel Cage Material; Open Enclosure; Relubricatable
Category	Spherical Roller Bearing
UNSPSC	31171510
Harmonized Tariff Code	84823080
Noun	Bearing
Keyword String	Spherical
Manufacturer URL	http://www.nskamericas.com
Manufacturer Item Number	22210EAE4
Weight / LBS	0.6
Bore	1.969 Inch 50 Millimeter
Width	0.906 Inch 23 Millimeter
Adapter Part Number	Not Applicable Inch Not Applicable Millimeter



FAG BEARING CORP.

Outside Diameter	3.543 Inch 90 Millimeter
bore diameter:	50 mm
maximum rpm:	7100 RPM
outside diameter:	90 mm
operating temperature range:	Maximum of +200 ° C
overall width:	23 mm
cage material:	Steel
bore type:	Straight
bearing material:	Steel
outer ring type:	Not Split
cage type:	Inner Ring Guided
internal clearance:	C0
precision rating:	RBEC 1 (ISO Class Normal)
closure type:	Open
finish/coating:	Uncoated
lubrication hole type:	Lubrication Groove & Hole
outer ring width:	23 mm
dynamic load capacity:	124000 N
fillet radius:	1.1 mm
static load capacity:	119000 N
series:	222
Y3	2.9
hidYobi	22210EAE4
LangID	1
Y1	2.9
D_	90
Y2	4.3
Macha rpm	9500
B_	23
da min	57
hidTable	ecat_NSSPHR



FAG BEARING CORP.

Oil rpm	7100
Y0	2.8
mass	0.61
GRS rpm	5600
ra	1
TSR rpm	6000
C0	119
DE_	81.997
X0	1
Prod_Type3	SRB_CTB_CB
X1	1
X2	0.67
SIR	8.8
e	0.24
DA_	10.53
bomp	22210EAE4
Z_	19
ALP2	55
ALP1	8
ALP3	0
D_a max	83
D_a min	81
yobi	22210EAE4
HPS	HPS
ALPHA_	0.156
SDM_	71.594
r	1.1
KBRG	2328
SBRG	22
DI_	61.191