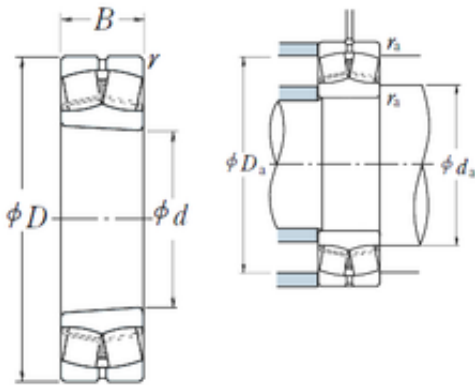




FAG BEARING CORP.



Tapered Bore

55 mm x 100 mm x 25 mm NSK 22211EAKE4
JAPAN Bearing 55X100X25

Bearing No. 22211EAKE4

22211EAKE4 Bearing 2D drawings and 3D CAD models

Size	55x100x25 mm
Bore Diameter	55 mm
Outer Diameter	100 mm
Width	25 mm
d	55 mm
D	100 mm
B	25 mm
C	25 mm
r min.	1,5 mm
da min.	64 mm
da max	65 mm
Da min	89 mm
Da max.	91 mm
ra max.	1,5 mm
Weight	0,81 Kg
Basic dynamic load rating (C)	119 kN
Basic static load rating (C0)	144 kN
(Grease) Lubrication Speed	4500 r/min
(Oil) Lubrication Speed	5600 r/min
Calculation factor (e)	0,23
Calculation factor (Y0)	2,8
Calculation factor (Y2)	4,3
Category	Spherical Roller Bearings
Inventory	0.0
Manufacturer Name	NSK



FAG BEARING CORP.

Minimum Buy Quantity	N/A
Weight / Kilogram	0.81
EAN	0029176411113
Product Group	B04311
Internal Clearance	C0-Medium
Mounting Method	Adapter Mount
Rolling Element	Spherical Roller Bearing
Bore Profile	Tapered
Cage Material	Steel
Enclosure	Open
Number of Rows of Rollers	Double Row
Relubricatable	Yes
Withdrawal Sleeve	AHX311 (Specify bore)
Inch - Metric	Metric
Long Description	55MM Tapered Bore; 100MM Outside Diameter; 25MM Width; C0-Medium Clearance; Adapter Mount; Double Row of Spherical Roller Bearings; Steel Cage Material; Open Enclosure; Relubricatable; Adapter Part Nu
Other Features	Order adapter or withdrawal sleeve or nut separately. Others may be available
Category	Spherical Roller Bearing
UNSPSC	31171510
Harmonized Tariff Code	84823080
Noun	Bearing
Keyword String	Spherical
Manufacturer URL	http://www.nskamericas.com
Manufacturer Item Number	22211EAKE4
Weight / LBS	0.81



FAG BEARING CORP.

Width	0.984 Inch 25 Millimeter
Adapter Part Number	SNW11 H311 HA311 HE311 (Specify Bore) Inch H311 (Specify bore) Millimeter
Outside Diameter	3.937 Inch 100 Millimeter
Bore	2.165 Inch 55 Millimeter
bore diameter:	55 mm
maximum rpm:	6700 RPM
outside diameter:	100 mm
operating temperature range:	Maximum of +200 ° C
overall width:	25 mm
cage material:	Steel
bore type:	Tapered 1:12
bearing material:	Steel
outer ring type:	Not Split
cage type:	Inner Ring Guided
internal clearance:	C0
precision rating:	RBEC 1 (ISO Class Normal)
closure type:	Open
finish/coating:	Uncoated
lubrication hole type:	Lubrication Groove & Hole
outer ring width:	25 mm
dynamic load capacity:	149000 N
fillet radius:	1.5 mm
static load capacity:	144000 N
series:	222
Y3	2.9
hidYobi	22211EAKE4
LangID	1
Y1	2.8
D_	100



FAG BEARING CORP.

Y2	4.3
Macha rpm	9000
B_	25
da min	64
hidTable	ecat_NSSPHR
Oil rpm	6700
Y0	2.8
mass	0.81
GRS rpm	5300
ra	1.5
TSR rpm	5300
C0	144
DE_	90.316
X0	1
Prod_Type3	SRB_CTB_TB
X1	1
X2	0.67
SIR	9.45
e	0.23
DA_	11.8
bomp	22211EAKE4
Z_	19
ALP2	50
ALP1	8
ALP3	0
D_a max	91
D_a min	89
yobi	22211EAKE4
HPS	HPS
ALPHA_	0.154
SDM_	78.656
r	1.5



FAG BEARING CORP.

KBRG	2328
SBRG	22
DI_	66.996