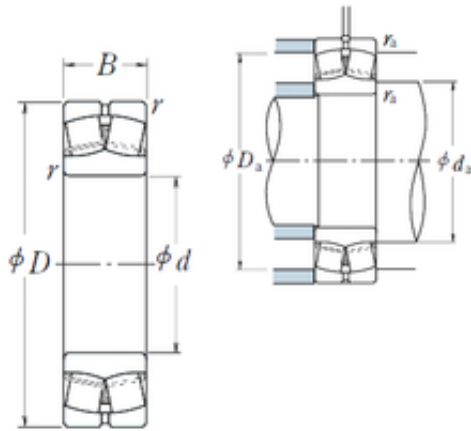




FAG BEARING CORP.



70 mm x 125 mm x 31 mm NSK 22214EAE4
JAPAN Bearing 70X125X31

Bearing No. 22214EAE4

22214EAE4 Bearing 2D drawings and 3D CAD models

Size	70x125x31 mm
Bore Diameter	70 mm
Outer Diameter	125 mm
Width	31 mm
d	70 mm
D	125 mm
B	31 mm
C	31 mm
r min.	1,5 mm
da min.	79 mm
da max	84 mm
Da min	111 mm
Da max.	116 mm
ra max.	1,5 mm
Weight	1,58 Kg
Basic dynamic load rating (C)	180 kN
Basic static load rating (C0)	232 kN
(Grease) Lubrication Speed	3600 r/min
(Oil) Lubrication Speed	4500 r/min
Calculation factor (e)	0,23
Calculation factor (Y0)	2,8
Calculation factor (Y2)	4,3
Category	Spherical Roller Bearings
Inventory	0.0
Manufacturer Name	NSK



FAG BEARING CORP.

Minimum Buy Quantity	N/A
Weight / Kilogram	1.65
EAN	0029176411212
Product Group	B04311
Internal Clearance	C0-Medium
Mounting Method	Shaft Mount
Rolling Element	Spherical Roller Bearing
Bore Profile	Straight
Cage Material	Steel
Enclosure	Open
Number of Rows of Rollers	Double Row
Relubricatable	Yes
Withdrawal Sleeve	Not Applicable
Inch - Metric	Metric
Long Description	70MM Straight Bore; 125MM Outside Diameter; 31MM Width; C0-Medium Clearance; Shaft Mount; Double Row of Spherical Roller Bearings; Steel Cage Material; Open Enclosure; Relubricatable
Category	Spherical Roller Bearing
UNSPSC	31171510
Harmonized Tariff Code	84823080
Noun	Bearing
Keyword String	Spherical
Manufacturer URL	http://www.nskamericas.com
Manufacturer Item Number	22214EAE4
Weight / LBS	1.65
Width	1.22 Inch 31 Millimeter
Adapter Part Number	Not Applicable Inch Not Applicable Millimeter
Outside Diameter	4.921 Inch 125 Millimeter



FAG BEARING CORP.

Bore	2.756 Inch 70 Millimeter
bore diameter:	70 mm
maximum rpm:	5300 RPM
outside diameter:	125 mm
operating temperature range:	Maximum of +200 ° C
overall width:	31 mm
cage material:	Steel
bore type:	Straight
bearing material:	Steel
outer ring type:	Not Split
cage type:	Roller Guided
internal clearance:	C0
precision rating:	RBEC 1 (ISO Class Normal)
closure type:	Open
finish/coating:	Uncoated
lubrication hole type:	Lubrication Groove & Hole
outer ring width:	31 mm
dynamic load capacity:	225000 N
fillet radius:	1.5 mm
static load capacity:	232000 N
series:	222
Y3	2.9
hidYobi	22214EAE4
LangID	1
Y1	2.9
D_	125
Y2	4.3
Macha rpm	7100
B_	31
da min	79
hidTable	ecat_NSSPHR



FAG BEARING CORP.

Oil rpm	5300
Y0	2.8
mass	1.58
GRS rpm	4000
ra	1.5
TSR rpm	4500
C0	232
DE_	113.35
X0	1
Prod_Type3	SRB_CTB_CB
X1	1
X2	0.67
SIR	12.16
e	0.23
DA_	14.14
bomp	22214EAE4
Z_	20
ALP2	48
ALP1	8
ALP3	0
D_a max	116
D_a min	111
yobi	22214EAE4
HPS	HPS
ALPHA_	0.154
SDM_	99.376
r	1.5
KBRG	2328
SBRG	22
DI_	85.403