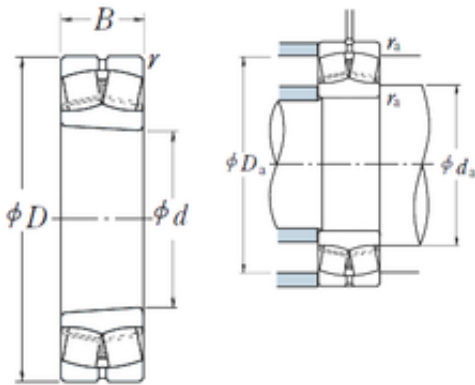




FAG BEARING CORP.



Tapered Bore

75 mm x 130 mm x 31 mm NSK 22215EAKE4
JAPAN Bearing 75 × 130 × 31

Bearing No. 22215EAKE4

22215EAKE4 Bearing 2D drawings and 3D CAD models

Size	75x130x31 mm
Bore Diameter	75 mm
Outer Diameter	130 mm
Width	31 mm
d	75 mm
D	130 mm
B	31 mm
C	31 mm
r min.	1,5 mm
da min.	84 mm
da max	87 mm
Da min	117 mm
Da max.	121 mm
ra max.	1,5 mm
Weight	1,64 Kg
Basic dynamic load rating (C)	190 kN
Basic static load rating (C0)	244 kN
(Grease) Lubrication Speed	3400 r/min
(Oil) Lubrication Speed	4300 r/min
Calculation factor (e)	0,22
Calculation factor (Y0)	3
Calculation factor (Y2)	4,5
Category	Spherical Roller Bearings
Inventory	0.0
Manufacturer Name	NSK



FAG BEARING CORP.

Minimum Buy Quantity	N/A
Weight / Kilogram	1.6
EAN	0029176411274
Product Group	B04311
Internal Clearance	C0-Medium
Mounting Method	Adapter Mount
Rolling Element	Spherical Roller Bearing
Bore Profile	Tapered
Cage Material	Steel
Enclosure	Open
Number of Rows of Rollers	Double Row
Relubricatable	Yes
Withdrawal Sleeve	AH315 (Specify bore)
Inch - Metric	Metric
Long Description	75MM Tapered Bore; 130MM Outside Diameter; 31MM Width; C0-Medium Clearance; Adapter Mount; Double Row of Spherical Roller Bearings; Steel Cage Material; Open Enclosure; Relubricatable; Adapter Part Nu
Other Features	Order adapter or withdrawal sleeve or nut separately. Others may be available
Category	Spherical Roller Bearing
UNSPSC	31171510
Harmonized Tariff Code	84823080
Noun	Bearing
Keyword String	Spherical
Manufacturer URL	http://www.nskamericas.com
Manufacturer Item Number	22215EAKE4
Weight / LBS	1.6



FAG BEARING CORP.

Width	1.22 Inch 31 Millimeter
Bore	2.953 Inch 75 Millimeter
Outside Diameter	5.118 Inch 130 Millimeter
Adapter Part Number	SNW15 H315 HA315 HE315 (Specify Bore) Inch H315 (Specify bore) Millimeter
bore diameter:	75 mm
maximum rpm:	5000 RPM
outside diameter:	130 mm
operating temperature range:	Maximum of +200 ° C
overall width:	31 mm
cage material:	Steel
bore type:	Tapered 1:12
bearing material:	Steel
outer ring type:	Not Split
cage type:	Roller Guided
internal clearance:	C0
precision rating:	RBEC 1 (ISO Class Normal)
closure type:	Open
finish/coating:	Uncoated
lubrication hole type:	Lubrication Groove & Hole
outer ring width:	31 mm
dynamic load capacity:	238000 N
fillet radius:	1.5 mm
static load capacity:	244000 N
series:	222
Y3	3
hidYobi	22215EAKE4
LangID	1
Y1	3
D_	130



FAG BEARING CORP.

Y2	4.5
Macha rpm	6700
B_	31
da min	84
hidTable	ecat_NSSPHR
Oil rpm	5000
Y0	3
mass	1.64
GRS rpm	4000
ra	1.5
TSR rpm	4300
C0	244
DE_	118.702
X0	1
Prod_Type3	SRB_CTB_TB
X1	1
X2	0.67
SIR	12.15
e	0.22
DA_	14.9
bomp	22215EAKE4
Z_	20
ALP2	26
ALP1	8
ALP3	0
D_a max	121
D_a min	117
yobi	22215EAKE4
HPS	HPS
ALPHA_	0.147
SDM_	103.964
r	1.5



FAG BEARING CORP.

KBRG	2328
SBRG	22
DI_	89.225